




KONICA MINOLTA

AccurioPress C3080/C3080P/C3070 AccurioPrint C3070L USER'S GUIDE

✦ Safety Information



Accurio*Press* C3080/C3080P/C3070
Accurio*Print* C3070L

Contents

1 Introduction

1.1	Welcome	1-3
1.1.1	Configuration and Usage of this Guide.....	1-3
1.2	HTML User's Guide operating environment.....	1-4
	Supported Operating Systems/Browsers	1-4
	Display resolution.....	1-4
1.3	Environmental Information.....	1-5
	Energy Star®.....	1-5
	Auto Low Power.....	1-5
	Auto Shut Off	1-5
	ErP Setting	1-5
	Automatic Duplex Printing	1-5
	Combine.....	1-5
1.4	Legal Restrictions on Reproduction	1-6

2 Safety Information

	Warning and precaution symbols	2-3
2.1	Warnings and Precautions	2-4
2.1.1	Power Source Connection	2-4
2.1.2	Installation.....	2-5
2.1.3	Using the Product	2-6
2.1.4	Consumables	2-7
2.1.5	Glue Pellet.....	2-8
2.1.6	Perfect Binder	2-8
2.1.7	Image Controller IC-313.....	2-9
2.1.8	Image Controller IC-417/Image Controller IC-313.....	2-9
2.1.9	Image Controller IC-314.....	2-10
2.2	Regulation Notices.....	2-11
2.2.1	Laser Safety	2-11
2.2.2	Ozone Release.....	2-12
2.2.3	Electromagnetic Interference and Safety Approvals	2-12
	For European Users	2-12
	For German Users.....	2-12
	For EU member states only	2-12
	Graphic symbols used on this machine.....	2-13
2.3	Warning and Caution Labels.....	2-14
2.3.1	Caution Labels on Fusing Part of Conveyance Fixing Unit	2-15
2.3.2	Warning Label on Waste Toner Box	2-16
2.3.3	Warning and Caution Labels on Saddle Stitcher SD-513.....	2-17
2.3.4	Caution Label on Perfect Binder PB-503.....	2-20
2.3.5	Caution Labels on Finisher FS-532.....	2-21
2.3.6	Caution Labels on Output Tray OT-510.....	2-23
2.3.7	Caution Label on Finisher FS-531/Finisher FS-612.....	2-24
2.3.8	Caution Label on Finisher FS-531, Finisher FS-612, Finisher FS-532, or Output Tray OT-510 Connected	2-25
2.3.9	Caution Label on Output Tray OT-511 Connected.....	2-26
2.3.10	Caution Labels on Relay Unit RU-518 / Humidifier HM-103	2-27
2.3.11	Caution Labels on Multi Bypass Tray MB-508	2-28
2.3.12	Caution Labels on Large Capacity Unit LU-202m	2-29
2.3.13	Caution Labels on Large Capacity Unit LU-202XL / LU-202XLm	2-30
2.3.14	Warning Labels for Current Leakage and Grounding on the Back of the Main Body	2-31

2.3.15	Caution and Warning Labels on Auto Ring Binder GP-502.....	2-32
2.3.16	Warning Labels for Grounding of the Main Body, Integrated Color Care Unit IQ-501, Paper Feed Unit PF-707m, Saddle Stitcher SD-513, Relay Unit RU-518, Folding Unit FD-503, Large Capacity Stacker LS-506, and Perfect Binder PB-503	2-33
2.4	Operation Precautions.....	2-36
2.4.1	Power Source	2-36
2.4.2	Operating Environment	2-36
2.4.3	Storage of Printed Materials	2-36
2.4.4	Ozone Release	2-36
2.4.5	Direct Sunlight.....	2-36
2.4.6	Authentication Unit AU-201S.....	2-36
2.4.7	Data Stored in This Machine.....	2-36
2.4.8	Precaution for Use of Folding Unit, Finisher and Output Tray.....	2-37
2.5	If you forget the administrator password	2-38



Introduction

1 Introduction

1.1 Welcome

Thank you for purchasing this machine.

This User's Guide provides precautions and requests that should be followed to ensure safe usage of this machine. Please be sure to read this guide before using the machine.

Please be sure to read this guide before using the machine.

Please keep this manual in a safe place where you can access them easily.

1.1.1 Configuration and Usage of this Guide

When you want to learn about detailed functions or operation procedures, refer to the **HTML User's Guide**.

Title of manual	Overview
[Quick Guide]	This guide describes the basic operations of the machine, how to install the printer driver and applications, and how to replace consumables.
[Safety Information] (This Guide)	This guide provides precautions and requests that should be followed to ensure safe usage of this machine. Read this guide before using the machine.
HTML User's Guide	This guide describes basic operations, functions that enable more convenient operations, how to carry out maintenance, simple troubleshooting, and various settings of this machine.

Note that basic technical knowledge about the machine is required to enable users to perform maintenance work or troubleshooting operations. Maintenance and troubleshooting operations should be carried out as instructed in this guide and the **HTML User's Guide**.

Should you experience any problems, contact your service representative.

1.2 HTML User's Guide operating environment

Supported Operating Systems/Browsers

This guide describes the operation verification in the operating systems and browsers shown below.

Operating system	Web browser
Windows 7 (Service Pack 1)	Internet Explorer 11.x Firefox 55.x Chrome 61.x
Windows 8.1	Internet Explorer 11.x Firefox 55.x Chrome 61.x
Windows 10	Internet Explorer 11.x Microsoft Edge 40 Firefox 55.x Chrome 61.x
Mac OS 10.8	Safari 6.x
Mac OS 10.9	Safari 7.x
Mac OS 10.10	Safari 8.x
Mac OS 10.11	Safari 9.x
Mac OS 10.12	Safari 10.x

Tips

- Check that [JavaScript] of your Web browser is enabled. The [HTML User's Guide] uses [JavaScript] for the page display or search function.
- Note that some of the functions may not work normally depending on your system environment. Please be forewarned.
- Problems may be able to be solved by using the latest Web browser.

Display resolution

1,024 × 768 pixels or more

1.3 Environmental Information

Energy Star®

The ENERGY STAR® Program has been established to encourage the widespread and voluntary use of energy efficient technologies that reduce energy consumption and prevent pollution. As an ENERGY STAR Partner, this product meets the ENERGY STAR guidelines for energy efficiency, based on the following features.



Auto Low Power

Auto Low Power conserves energy by lowering the power consumption. The time period to activate this function can be set for --- minute, 5 minutes, 10 minutes, 15 minutes, 30 minutes, 60 minutes, 90 minutes, 120 minutes, or 240 minutes. Power saving time periods, 90, 120, and 240 minutes, may not be displayed depending on regions.

As default of Auto Low Power, [15 min.] is specified. Setting [--- min.] for Auto Low Power means that Auto Low Power is disabled.

Setting [--- min.] (OFF) for Auto Shut Off automatically changes the Auto Low Power setting to [5 min.] Setting change for Auto Low Power, however, can be made as desired.

When any option other than [--- min.] (OFF) is specified for Auto Shut Off, the time period for Auto Low Power cannot exceed that for Auto Shut Off.

Auto Shut Off

Auto Shut Off achieves further energy conservation by reducing power consumption. The time period to activate this function can be set for --- minute, 0 minute, 1 minute, 30 minutes, 60 minutes, 90 minutes, 120 minutes, or 240 minutes.

As default of Auto Shut Off, [90 min.] is specified. The touch panel display and LEDs other than the Power Save and Power LEDs turn off lowering power consumption of the machine.

Setting [--- min.] for Auto Shut Off means that Auto Shut Off is disabled.

The time period for Auto Shut Off cannot be shorter than that for Auto Low Power.

ErP Setting

This is a function that turns the main power switch OFF when a certain period of time elapses with Auto Low Power activated, Auto Shut Off activated, or the sub power switch turned OFF.

The time period to activate this function can be set for none (Do Not Switch), 12 hours, 24 hours, 36 hours, 48 hours, 60 hours, or 72 hours.

If the Weekly Timer ON/OFF Setting is set to [Weekly Timer ON], the [02 ErP Setting] key will be grayed out to show inactivity.

Automatic Duplex Printing

To reduce paper consumption, use this function for double-sided (duplex) printing automatically.

Combine

To reduce paper consumption, use this function to print a fixed number (2, 4, or 8) of original pages onto one sheet of paper.

We recommend that you utilize the Auto Low Power, Auto Shut Off, ErP Setting, Automatic Duplex Printing, and Combine functions.

1.4 Legal Restrictions on Reproduction

Certain types of originals must never be reproduced with the purpose or intent to pass reproductions of such originals off as the originals.

The following is not a complete list, but is meant to be used as a guide to responsible reproduction.

<Financial Instruments>

- Personal checks
- Traveler's checks
- Money orders
- Certificates of deposit
- Bonds or other certificates of indebtedness
- Stock certificates

<Legal Originals>

- Food stamps
- Postage stamps (canceled or uncanceled)
- Checks or drafts drawn by government agencies
- Internal revenue stamps (canceled or uncanceled)
- Passports
- Immigration papers
- Motor vehicle licenses and titles
- House and property titles and deeds

<General>

- Identification cards, badges, or insignias
- Copyrighted works without permission of the copyright

In addition, it is prohibited under any circumstances to reproduce domestic or foreign currencies, or works of art without permission of the copyright owner.

When in doubt about the nature of an original, consult with legal counsel.

NOTICE

This machine provides the forgery prevention function in order to prevent financial instruments from being reproduced illegally.

We appreciate your understanding that printed images may infrequently have some noise or image data may not be stored under certain circumstances due to this forgery prevention function.



2

Safety Information

2 Safety Information

This section contains detailed instructions on the operation and maintenance of this machine. To achieve optimum utility of this device, all operators should carefully read and follow the instructions in this manual.

Please read the following section before connecting the machine to the supply. It contains important information related to user safety and preventing equipment problems.

Make sure that you observe all of the precautions that appear in different sections of this manual.



Reference

Some parts of the contents of this section may not correspond with the purchased product.

Warning and precaution symbols

Be sure to observe the safety precautions.

- This manual contains the instructions that should be strictly observed at all times to prevent injury to yourself and other persons as well as damage to property.

Injuries and damage that might be caused by using the product improperly are classified according to the following symbols.

Pictorial indication	Description
WARNING	Improper handling can cause serious injury or death.
CAUTION	Improper handling can cause minor injury or damage to houses and property.

These are some of major exemplary graphical symbols.

Graphic symbols	Descriptions	Graphic symbols	Descriptions	Graphic symbols	Descriptions
	General prohibition		Do not disassemble		Do not touch
	General instruction		Ground/Earth		Unplug from outlet
	General precaution		High temperature		Electrical shock hazard

2.1 Warnings and Precautions

2.1.1 Power Source Connection

Warning

Do not use any power cord other than the one supplied in the package or attached on the products. If a power cord is not supplied, use only the power cord and plug that are specified in the user documentation. Failure to use this cord could result in a fire or electrical shock. If the power cord supplied in the package cannot be used in the country where this product was sold, use a power cord that meets the following conditions or contact your Technical Representative.

- The power cord has voltage and current rating appropriate for the rating plate on this machine.
- The power cord meets regulatory requirements for the area.
- The power cord is provided with grounding pin/terminal.



Do not use the power cord to other products. Failure to do that could result in a fire or electrical shock.



Do not scratch, abrade, place a heavy object on, heat, twist, bend, step on, pull on, or damage the power cord. Use of a damaged power cord (exposed core wire, broken wire, etc.) could result in a fire or breakdown.

Should any of these conditions be found, immediately turn OFF the power switch, unplug the power cord from the power outlet, and then call your authorized service representative.

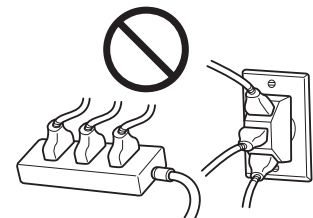


Do not use the power source voltage other than being specified on the machine. Failure to do that could result in a fire or electrical shock.

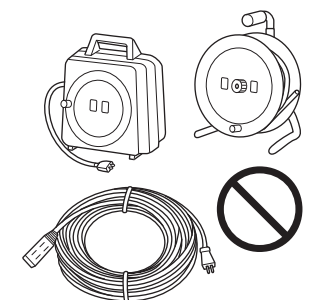


Do not use a multiple outlet adapter to connect any other appliances or machines.

Use of a power outlet for more than the marked current value could result in a fire or electrical shock.



Do not use an extension cord. Use of an extension cord could cause a fire or electric shock. If the power cord furnished with the product is not long enough to be plugged into a wall outlet, contact your Technical Representative.



Do not unplug and plug in the power cord with a wet hand, as an electrical shock could result.



Plug the power cord all the way into the power outlet. Failure to do this could result in a fire or electrical shock.



Make sure to ground this product. (Connect the power cord to an electrical outlet that is equipped with a grounding terminal.) Failure to do so and an unlikely event of leakage could result in a fire or electrical shock.



⚠ Caution

The outlet must be near the equipment and easily accessible. Otherwise you can not pull out the power plug when an emergency occurs.



Do not place any objects around the power plug, as the power plug may be difficult to pull out when an emergency occurs.



Do not tug the power cord when unplugging. Pulling on the power cord could damage the cord, resulting in a fire or electrical shock.



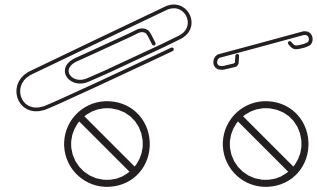
Remove the power plug from the outlet more than one time a year and clean the area between the plug terminals. Dust that accumulates between the plug terminals may cause a fire.

**2.1.2 Installation****⚠ Warning**

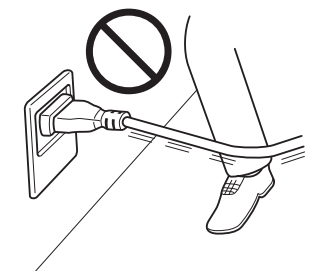
Keep this bag away from babies and children. Do not use in cribs, beds, carriages, or playpens. The thin film may cling to nose and mouth and prevent breathing. This bag is not a toy.



Do not place a flower vase or other container that contains water, or metal clips or other small metallic objects on this product. Spilled water or metallic objects dropped inside the product could result in a fire, electrical shock, or breakdown. Should a piece of metal, water, or any other similar foreign matter get inside the product, immediately turn OFF the power switch, unplug the power cord from the power outlet, and then call your Technical Representative or your authorized service representative.



Make sure that the power cord is placed on a site in which no person would step on or trip over it. Stepping on or tripping over the power cord could heat the power cord, resulting in a fire or electric shock.

**⚠ Caution**

<If instructed to use fixing legs>

When the product has been installed, fix the product using the fixing legs. Not using the fixing legs could cause the product to move or topple over.



Do not place the product in a dusty place, or a site exposed to soot or steam, near a kitchen table, bath, or a humidifier. A fire, electrical shock, or breakdown could result.



Do not place this product on an unstable or tilted bench, or in a location subject to a lot of vibration and shock. It could drop or fall, causing personal injury or mechanical breakdown.



 **Caution**

Do not let any object plug the ventilation holes of this product. Heat could accumulate inside the product, resulting in a fire or malfunction.



Whenever moving this product, be sure to disconnect the power cord and other cables. Failure to do this could damage the cord or cable, resulting in a fire, electrical shock, or breakdown.



When moving this product, always hold it at the locations specified in the User's Guide or other documents. If the unit is moved while held at locations other than those specified, it may fall, causing severe personal injury.



2.1.3 Using the Product

 **Warning**

Do not modify this product, as a fire, electrical shock, or breakdown could result. If the product employs a laser, the laser beam source could cause blindness.



Do not attempt to remove the covers and panels which have been fixed to the product. Some products have a high-voltage part or a laser beam source inside that could cause an electrical shock or blindness.



Do not keep using this product, if this product becomes inordinately hot or emits smoke, or unusual odor or noise. Immediately turn OFF the power switch, unplug the power cord from the power outlet, and then call your Technical Representative or your authorized service representative. If you keep on using it as is, a fire or electrical shock could result.



Do not keep using this product, if this product has been dropped or its cover damaged. Immediately turn OFF the power switch, unplug the power cord from the power outlet, and then call your Technical Representative or your authorized service representative. If you keep on using it as is, a fire or electrical shock could result.



Do not use flammable sprays, liquids, or gases inside or near this machine. Do not clean the inside of this machine using a flammable gas duster. A fire or explosion could result.



<If an RFID module (limited only to 13.56 MHz) for use in inside-the-machine proximity communication or electromagnetic induction heating (IH) technology (limited only to 20.05 kHz to 100 kHz) is being used>



This machine generates a weak magnetic field.

If you experience any unusual symptoms with your implantable medical equipment (cardiac pacemaker, etc.) while near the machine, move away from the machine and see a doctor immediately.

Please call your Technical Representative or your authorized service representative if you do not understand the purchased product corresponds or not.

⚠ Warning

<If a non-contact IC card reader is being used>
If you use an implantable medical equipment (cardiac pacemaker, etc.), do not bring the IC card reader close from the implant within 12 cm at all times. The radio waves may affect implantable medical equipment (cardiac pacemaker, etc.) operations.

**⚠ Caution**

Using this product in a poorly ventilated room for a long time or producing a large volume of copies or prints may cause the odor of exhaust air from the machine. Ventilate the room well.



The inside of this product has areas subject to high temperature, which may cause burns. When checking the inside of the unit for malfunctions such as a paper misfeed, do not touch the locations (around the fusing unit, etc.) which are indicated by a "Caution HOT" caution label. A burn could result.



Unplug the product when you will not use the product for long periods of time.



When using the machine, do not look at the light of the lamp for a prolonged time. Eyestrain could result.



Do not use stapled paper, conductive paper (such as silver paper or carbon paper) or treated heat-sensitive/inkjet paper, otherwise a fire may result.

**2.1.4 Consumables****⚠ Warning**

Do not throw toner or a container that contains toner (e.g., toner cartridge, developing unit and Waste Toner Box) into an open flame. The hot toner may scatter and cause burns or other damage.

**⚠ Caution**

Do not leave toner-related parts (e.g., toner cartridge, developing unit and Waste Toner Box) within easy reach of children. Licking any of these parts or ingesting toner could damage your health.



Do not store toner-related parts (e.g., toner cartridge, developing unit and Waste Toner Box) near devices susceptible to magnetism, such as precision equipment and data storage devices, otherwise they may malfunction. They could cause these products to malfunction.




Do not force open the toner-related parts (e.g., toner cartridge, developing unit and Waste Toner Box). If toner tumbles from the toner bottle, take utmost care to avoid inhaling it or even getting skin contact.





If toner lands on your skin or clothing, wash thoroughly with soap and water.





 **Caution**



If you inhale toner, move to a place with fresh air and gargle with a lot of water repeatedly. Should you get symptoms such as coughing, seek medical advice. 

If you get toner into your eyes, immediately rinse them with running water for over 15 minutes. Seek medical advice if irritation persists. 

If you swallow toner, rinse out your mouth and drink a few glasses of water. Seek medical advice if necessary. 


Never touch the electrical contacts of the units (e.g., toner cartridge and developing unit), as an electrostatic discharge may damage the product. 


Before handling, see the user documentation for the safety information. 


<If instructed to replace the fusing unit>
The fusing section is extremely hot. Before replacing the fusing unit, be sure to open doors and covers of the machine. Then, leave the machine to stand idle for a specified period of time and make sure that the fusing section has cooled down to room temperature. Failure to follow these instructions could result in a burn. 


2.1.5 Glue Pellet

 **Caution**


Do not put glue pellets close to fire. Glue pellets are flammable and easy to catch on fire. 


Do not swallow glue pellets. Should you swallow any, drink large amount of water or milk to vomit, and immediately consult a doctor. 


Keep out of reach of children in order to avoid unexpected accidents. 


2.1.6 Perfect Binder


 **Caution**

Do not use the perfect binder without ventilation for an extended period of time. Ensure to ventilate the room on a regular basis. It is recommended that the perfect binder should be installed in a place with a local exhaust system. Using the perfect binder in a room without appropriate ventilation could pose health hazard. 




Handle melted hot glue carefully. If it gets in the eye, do not rub nor try to open the eye, but cool it with cold water immediately and consult a doctor. 

Do not touch melted hot glue as it may cause burn injury. If it sticks on your skin, cool that part of the skin with cold water immediately and consult a doctor. 



Do not touch the glue tank unit immediately after you turned off the machine to avoid burn injury. Wait until the unit is no longer hot when you handle it directly with your hands. 

Do not put the glue hopper and the glue tank unit close to fire. Glue is flammable and easy to catch on fire. 


 **Caution**

-
- | | |
|---|--|
| Do not get close to the vapor emitted from melted hot glue. If you have irritation in or around your eyes, nose or throat, move to an area where you can get fresh air. |  |
| Do not block up the vent for the fan on the back of the perfect binder. This will prevent the discharge of heat, and may cause fire or breakdown. |  |
| Do not change the temperature setting for the glue tank unit. This may cause fire or breakdown. |  |
-



2.1.7 Image Controller IC-313 **Warning**

-
- | | |
|---|--|
| Never lift the Image Controller IC-313 by grasping the top panel. The top panel does not support the weight of the system. |  |
| The Image Controller IC-313 touch panel is a liquid crystal display (LCD) that is made of glass and can break. Do not subject it to strong shocks. If the Image Controller IC-313 touch panel breaks and the liquid crystal material leaks out, do not inhale, ingest, or touch it. If the material gets on your skin or clothing, wash it off with soap and water immediately. |  |
-

 **Caution**

-
- | | |
|--|--|
| Do not apply excessive pressure to the panel. This changes the color of the panel. |  |
|--|--|
-

2.1.8 Image Controller IC-417/Image Controller IC-313 **Warning**

-
- | | |
|--|--|
| Do not attempt to disassemble or modify the Image Controller IC-417 or Image Controller IC-313 . This may result in a fire or electrical shock. |  |
| Do not keep using the Image Controller IC-417 or Image Controller IC-313 if the Image Controller IC-417 or Image Controller IC-313 becomes inordinately hot, emits smoke, unusual odor, or noise. Immediately turn off the power switch, unplug the power cord from the power outlet, and call your authorized service representative. |  |
-

2.1.9 Image Controller IC-314

 **Warning**

The **Image Controller IC-314** is heavy, and must be lifted by two people.



Each person must place both hands underneath the **Image Controller IC-314** from the sides.



Lift up the **Image Controller IC-314** using the handle and not using the front panel. Lifting it up using the front panel may result in major injury.



Before opening the **Image Controller IC-314** covers, ensure that the unit has been switched off. Switching off only the ON/OFF power button will leave some circuits energized. For complete disconnection from the supply, the main power cable must also be disconnected from the power source.



Do not attempt to disassemble or modify the **Image Controller IC-314**. This may result in a fire or electrical shock.



Do not keep using the **Image Controller IC-314** if the **Image Controller IC-314** becomes inordinately hot, emits smoke, unusual odor, or noise. Immediately turn off the power switch, unplug the power cord from the power outlet, and call your authorized service representative.

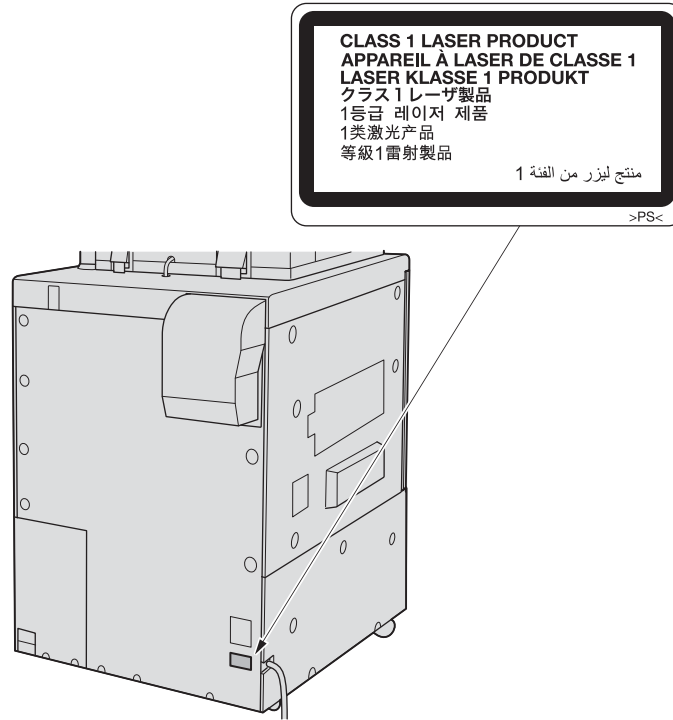


2.2 Regulation Notices

2.2.1 Laser Safety

This product employs a Class 3B laser diode having maximum power of 15 mW and wavelength of 787-800 nm.

This product is certified as a Class 1 laser product. Since the laser beam is concealed by protective housings, the product does not emit hazardous laser radiation as long as the product is operated according to the instructions in this manual.



⚠ **WARNING** - CLASS 3B INVISIBLE LASER RADIATION WHEN OPEN
 AVOID EXPOSURE TO THE BEAM

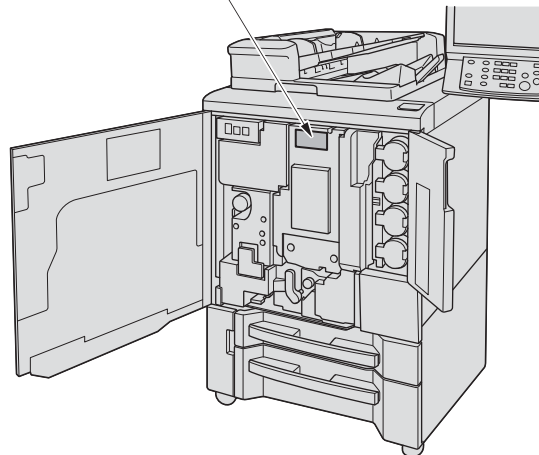
⚠ **AVERTISSEMENT** - RAYONNEMENT LASER INVISIBLE DE CLASSE 3B - EN CAS D'OUVERTURE
 EXPOSITION AU FAISCEAU DANGEREUSE

⚠ **WARNUNG** - KLASSE 3B UNSICHTBARE LASERSTRAHLUNG, WENN ABDECKUNG
 GEÖFFNET NICHT IN DEM STRAHL AUSSETZEN

⚠ **警告**
 ⚠ **警告**
 ⚠ **警告**
 ⚠ **경고**

・打开时有3B类不可见激光辐射 避免光束照射
 ・打开時有看不见的光束等级是3B・应避免雷射光束照射到
 ・ここを開くとクラス3B不可見レーザー光が出ます。ビームを直接見たり、触れたりしないでください。
 ・이 곳을 열면 눈에 보이지 않는 등급3B 레이저광선이 나옵니다.
 광선의 노출을 피해 주십시오.

⚠ تحذير - فئة 3B أشعة الليزر غير المرئية عندما تكون غير مغلقة أو مفتوحة
 تجنب التعرض للشمع
 A9VE-9427



2.2.2 Ozone Release

During print operation, a small quantity of ozone is released. This amount is not large enough to harm anyone adversely. However, be sure the room where the machine is being used has adequate ventilation, especially if you are printing a high volume of materials, or if the machine is being used continuously over a long period.

2.2.3 Electromagnetic Interference and Safety Approvals

This product must be used with a shielded network cable and shielded USB cable.

The length of USB cable must be 3 meters or less.

The use of such cables is likely to result in interference with radio communications.

⚠ WARNING

- This is a Class A product. This product must not be used in residential areas. In a residential environment this product may cause radio interference in which case the user may be required to take adequate measures.
-

For European Users

CE Marking (Declaration of Conformity) for users of the European Union (EU) Declaration of Conformity is available at "<http://www.konicaminolta.eu/>".

This product complies with IEC61000-3-12.

This product is GS-certified for the Konica Minolta branded model AccurioPress C3080, AccurioPress C3080P, AccurioPress C3070 and AccurioPrint C3070L.

The product, PF-602m is GS-certified for the Konica Minolta branded model PF-602.



For German Users

Der Höchste Schalldruckpegel beträgt 85 dB(A) oder weniger nach ISO 7779.

This device is not intended for use in the direct field of view at visual display workplaces.

To avoid incommoding reflexions at visual display workplaces this device must not be placed in the direct field of view.

For EU member states only


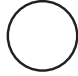












This symbol means: Do not dispose of this product together with your household waste!

Please refer to the information of your local community or contact our dealers regarding the proper handling of end-of-life electric and electronic equipments. Recycling of this product will help to conserve natural resources and prevent potential negative consequences for the environment and human health caused by inappropriate waste handling.



Graphic symbols used on this machine

These are some of major exemplary graphical symbols.

Graphic symbols	Descriptions	Graphic symbols	Descriptions	Graphic symbols	Descriptions
	"ON" position		"OFF" position		STAND-BY
	push-push type switches		Ground/Earth (Protective bonding terminal)		Ground/Earth (Protective earthing)
	CLASS II EQUIPMENT		Class II equipment with functional earthing		Functional earthing
	General precaution		High temperature		Electrical shock hazard
	CAUTION moving fan blade		CAUTION DOUBLE POLE / NEUTRAL FUSING		

2.3 Warning and Caution Labels

This machine has warning label, caution labels and indicators for safety precaution in the following location. These labels and indicators advise you to pay special attention to avoid any dangerous situations or serious injury when you replace the units.

CAUTION

DO NOT remove warning or caution labels!

- Should any warning or caution label be removed, you may fail to check a specific part to be alert for unexpected trouble or injury. If you find any warning or caution label removed or illegible due to soilage, please contact your service representative.
-

2.3.1 Caution Labels on Fusing Part of Conveyance Fixing Unit

⚠ CAUTION

High temperature! Burn

You may get burned.

- DO NOT touch the fusing part of the conveyance fixing unit.
- Be especially careful when withdrawing the conveyance fixing unit or opening the fusing part.



⚠ CAUTION

Injury

You may get injured.

- DO NOT put your hands or arms in between the main body and the conveyance fixing unit.
- Touching connecting terminals of electric parts may damage the machine or cause unexpected trouble.
- Please do not try to work yourself, but contact your service representative.



Legend for Temperature Callouts:

- 90°C / 194°F
- 100°C / 212°F
- 200°C / 392°F

Legend for Warning Labels:

<p>⚠ CAUTION High temperature! Burn</p> <p>⚠ PRECAUCIÓN Temperatura alta! Quemaduras</p> <p>⚠ VORSICHT Heiße Oberfläche! Verbrennungen</p>	<p>⚠ ATTENTION Température élevée! Brûlure</p> <p>⚠ CUIDADO Alta Temperatura! Queimaduras</p> <p>⚠ ATTENZIONE Alta temperatura! Ustioni</p>	<p>注意 주의 高温! 고온! 야けど 화상</p> <p>注意 주의 高温! 고온! 야けど 화상</p> <p>注意 高温! 야けど 화상</p>	<p>⚠ CAUTION High temperature! Burn</p> <p>⚠ ATTENTION Température élevée! Brûlure</p> <p>⚠ VORSICHT Heiße Oberfläche! Verbrennungen</p> <p>⚠ PRECAUCIÓN Temperatura alta! Quemaduras</p> <p>⚠ CUIDADO Alta Temperatura! Queimaduras</p> <p>⚠ ATTENZIONE Alta temperatura! Ustioni</p> <p>注意 주의 高温! 고온! 야けど 화상</p> <p>注意 주의 高温! 고온! 야けど 화상</p> <p>注意 高温! 야けど 화상</p>	<p>⚠ CAUTION High temperature! Burn</p> <p>⚠ PRECAUCIÓN Temperatura alta! Quemaduras</p> <p>⚠ VORSICHT Heiße Oberfläche! Verbrennungen</p>
---	--	---	--	---

Temperature Callout Labels:

- 90°C / 194°F
- 100°C / 212°F
- 200°C / 392°F

Large Multi-Language Labels:

⚠ CAUTION
High temperature!
Burn

⚠ ATTENTION
Température élevée!
Brûlure

⚠ VORSICHT
Heiße Oberfläche!
Verbrennungen

⚠ PRECAUCIÓN
Temperatura alta!
Quemaduras

⚠ CUIDADO
Alta Temperatura!
Queimaduras

⚠ ATTENZIONE
Alta temperatura!
Ustioni

注意 **주의**
高温! 고온!
야けど 화상

注意 **주의**
高温! 고온!
야けど 화상

注意
高温!
야けど 화상

⚠ CAUTION
Injury

⚠ ATTENTION
Blessures

⚠ VORSICHT
Verletzungen

⚠ PRECAUCIÓN
Lesiones

⚠ CUIDADO
Danos

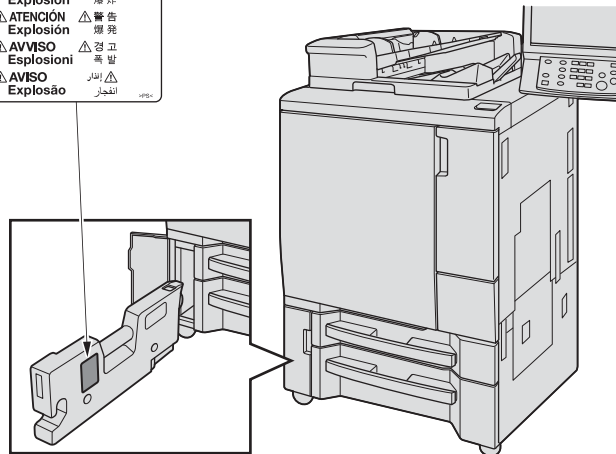
⚠ ATTENZIONE
Lesioni

2.3.2 Warning Label on Waste Toner Box

⚠ WARNING Explosion

The toner may ignite and cause a dangerous situation.

- NEVER throw the waste toner box into a fire.



2.3.3 Warning and Caution Labels on Saddle Stitcher SD-513

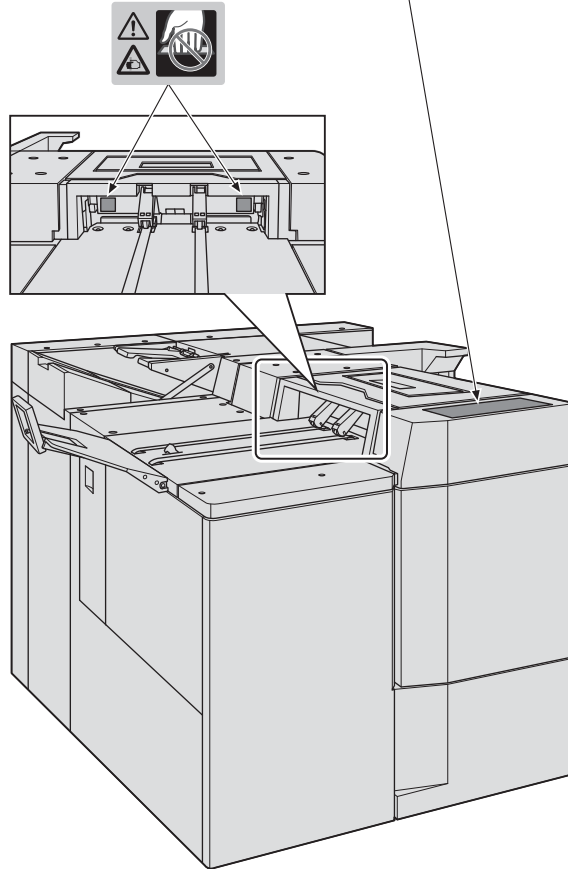
⚠ WARNING
Injury

Putting your hands into the shutter while sheets are being delivered onto the bundle exit tray may cause an unexpected accident.



- When taking out sheets from the bundle exit tray, do not put your hands in the shutter of the outlet.
- Before removing out output sheets, make sure that they have all been delivered onto the bundle exit tray.

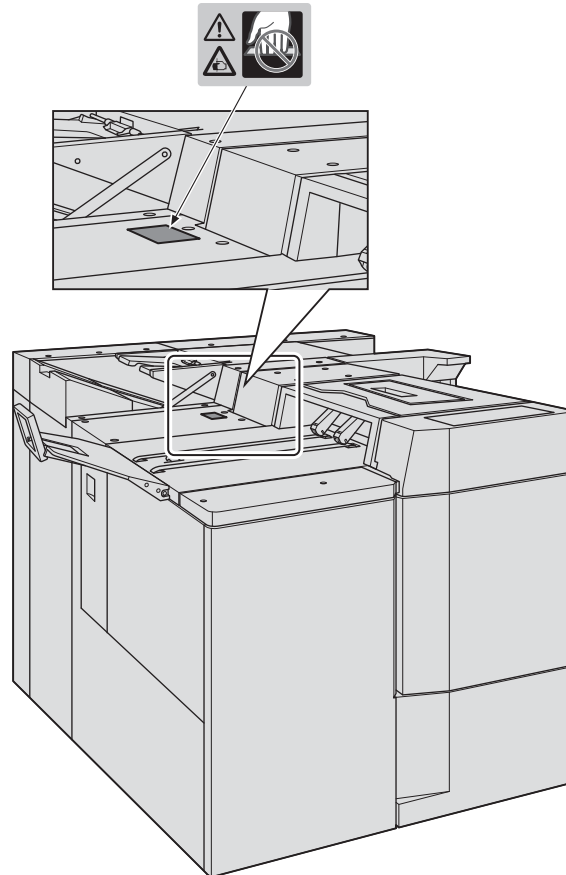
<p>⚠ WARNING HAZARDOUS MOVING PARTS KEEP FINGERS AND OTHER BODY PARTS AWAY</p> <p>⚠ ATTENTION ÉLÉMENTS MOBILES DANGEREUX TENIR LES DOIGTS ET AUTRES PARTIES DU CORPS ÉLOIGNÉS</p> <p>⚠ WARNUNG GEFÄHRLICHE, SICH BEWEGENDE TEILE FINGER UND ANDERE KÖRPERTEILE FERN HALTEN</p> <p>⚠ ATENCIÓN PIEZAS MÓVILES PELIGROSAS MANTENGA LOS DEDOS Y OTRAS PARTES DEL CUERPO ALEJADAS</p> <p>⚠ AVISO PEGAS MÓVEIS PERIGOSAS MANTENHA OS DEDOS E OUTRAS PARTES DO CORPO AFASTADOS</p> <p>⚠ AVISO PARTI MOBILI PERICOLOSE TENERE LE DITA E LE ALTRE PARTI DEL CORPO LONTANE</p>	<p>⚠ 警告 危険な可動部 指や身体を近づけないように</p> <p>⚠ 警告 危険移動部 手指或身体切勿靠近</p> <p>⚠ 警告 危険移動部 手指或身体切勿靠近</p> <p>⚠ 警告 危険移動部 手指或身体切勿靠近</p> <p>⚠ 警告 危險的移動部分 手指或身體切勿靠近</p> <p>⚠ 警告 危險的移動部分 手指或身體切勿靠近</p>	<p>⚠ 当心夹手</p>
--	--	----------------------



⚠ CAUTION
Injury

Getting your hands caught may cause an unexpected accident.

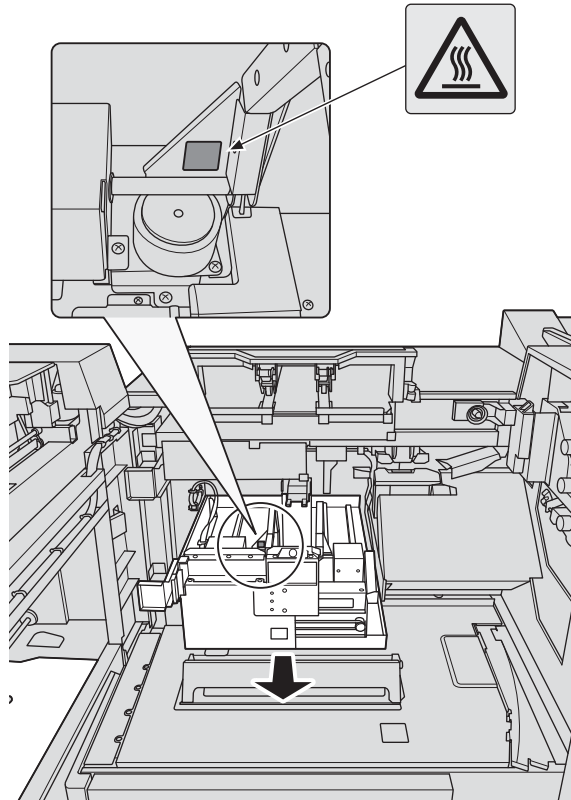
- DO NOT put your hands in between the clamp section and the main body when closing the clamp section.
- Be careful to close the clamp section.



⚠ CAUTION
High temperature! Burn

The motor section of the internal unit may be hot. Touching it may burn you.

- DO NOT touch the motor section of the internal unit with your hands.
- When the clamp section is opened, the internal unit inside the saddle stitcher may be located forward. Pay special attention to clear jammed paper inside the main body of the saddle stitcher.



2.3.4 Caution Label on Perfect Binder PB-503

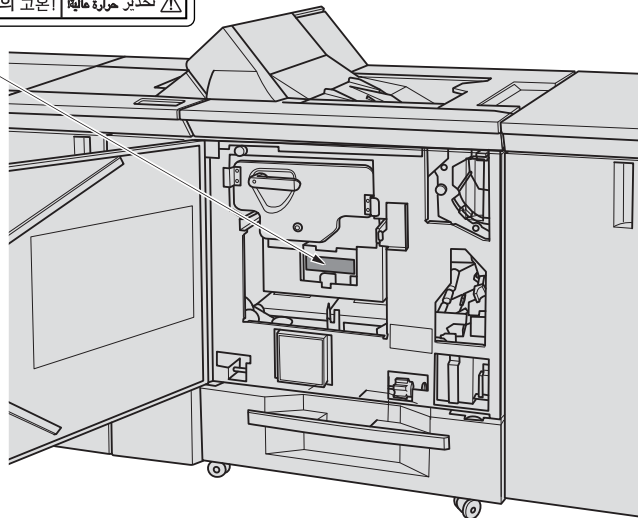
⚠ CAUTION
High temperature! Burn

You may get burned.

- DO NOT touch the glue tank unit.
- Please be especially careful if you push the glue tank unit backward in place.



	CAUTION High temperature!	ATTENTION Température élevée!
	VORSICHT Heiße Oberfläche!	PRECAUCIÓN ¡Temperatura alta!
	ATTENZIONE Alta temperatura!	CUIDADO Alta Temperatura!
	注意 高温! 注意 高温!	주의 고온! تحذير حرارة عالية!



2.3.5 Caution Labels on Finisher FS-532

⚠ CAUTION Injury

An unexpected injury may occur, such as getting your fingers caught between the primary (main) tray going upward and the main body.

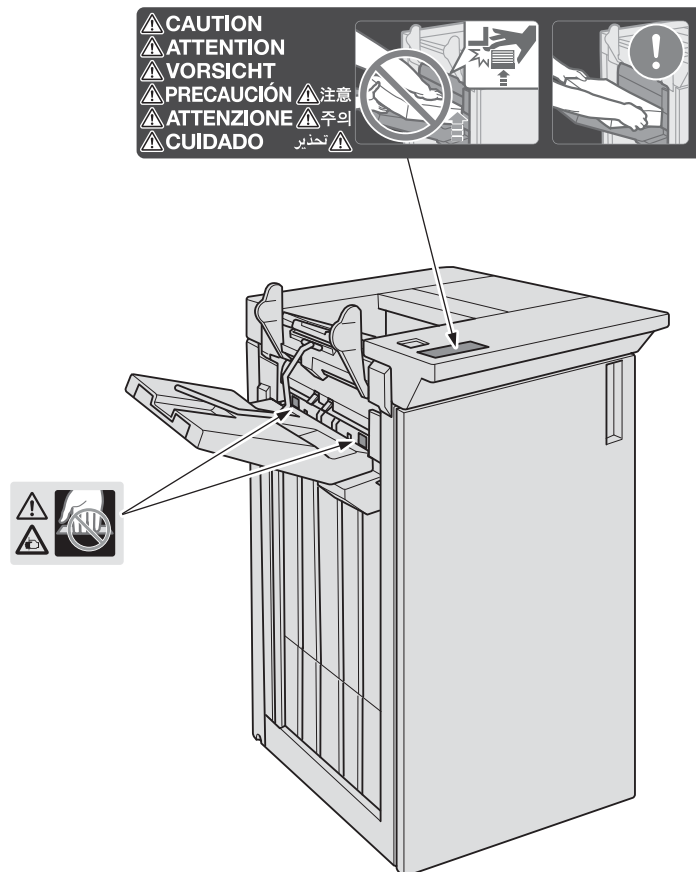
- DO NOT put your hands on top of the printed sheets when removing them from the primary (main) tray.
- Be sure to hold both front and rear sides of the stack when removing it from the tray.



⚠ CAUTION Injury

An unexpected injury may occur, such as getting your fingers caught by the primary (main) tray sliding sideways. DO NOT put your fingers in between the primary (main) tray and the main body.

- Please be careful when removing paper from the tray.

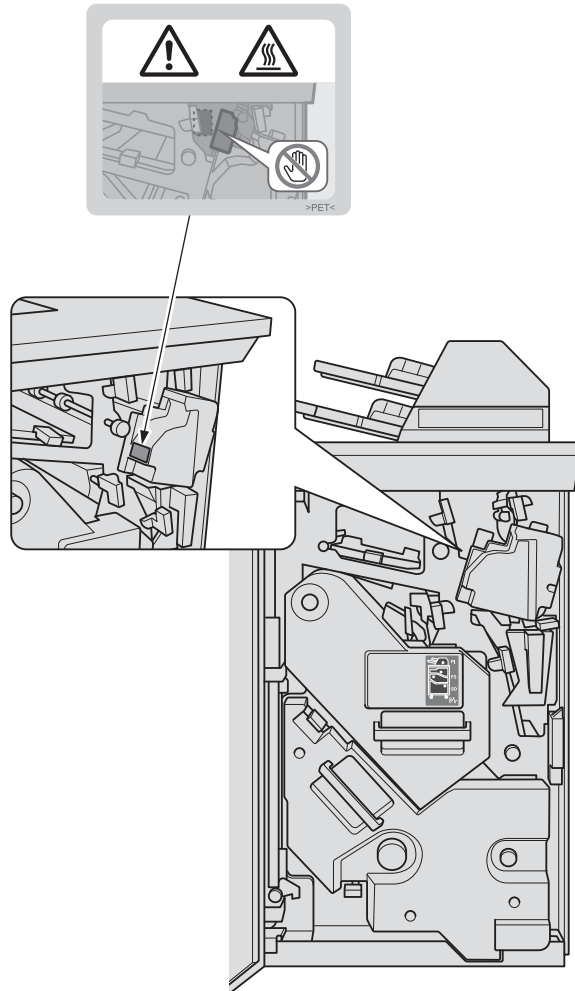


⚠ CAUTION
High temperature! Burn

The finisher mounted with Punch Kit PK-522 has a hollow portion. Touching the motor deep in the hollow portion may burn you. **DO NOT** put your hands into the hollow portion inside the finisher.



- Do not put your hands deep into the hollow portion when removing jammed paper.



2.3.6 Caution Labels on Output Tray OT-510

⚠ CAUTION Injury

An unexpected injury may occur, such as getting your fingers caught between the primary (main) tray going upward and the main body.

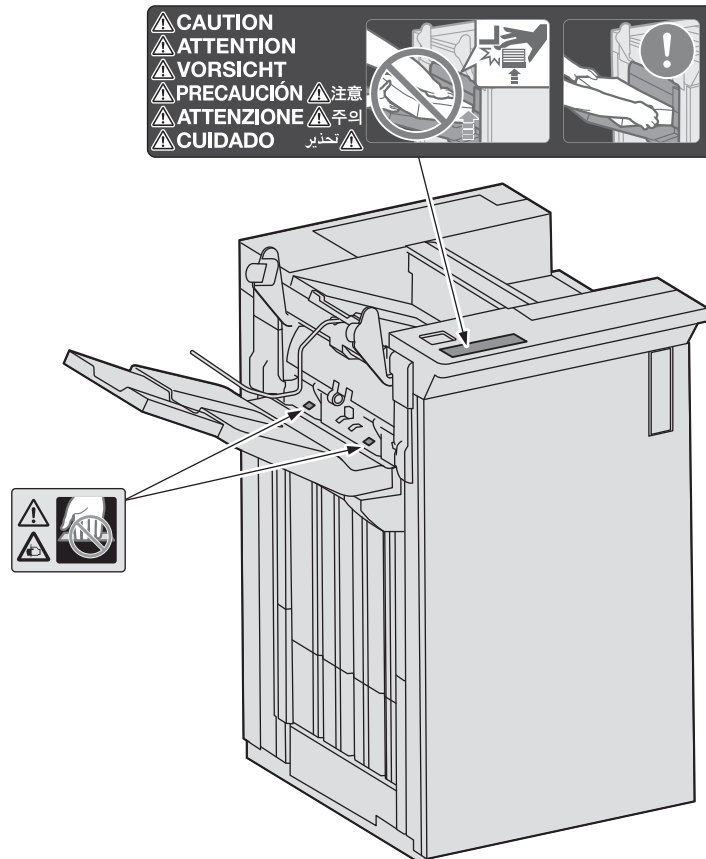
- DO NOT put your hands on top of the printed sheets when removing them from the primary (main) tray.
- Be sure to hold both front and rear sides of the stack when removing it from the tray.



⚠ CAUTION Injury

An unexpected injury may occur, such as getting your fingers caught by the primary (main) tray sliding sideways.

- DO NOT put your fingers in between the primary (main) tray and the main body.
- Please be careful when removing paper from the tray.



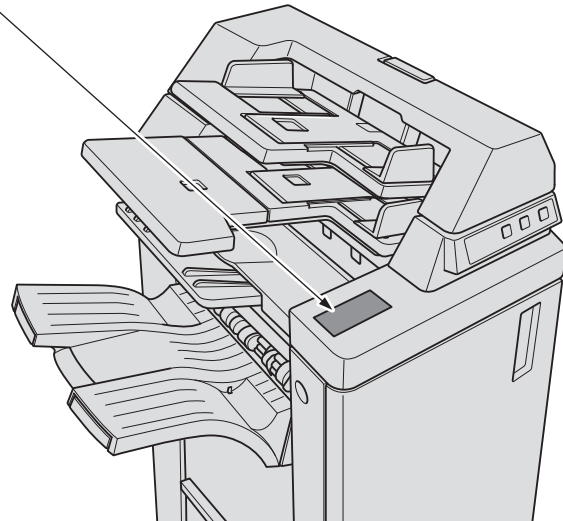
2.3.7 Caution Label on Finisher FS-531/Finisher FS-612

⚠ CAUTION Injury

An unexpected injury may occur, such as getting your fingers caught between the primary (main) tray going upward and the main body.



- DO NOT put your hands on top of the printed sheets when removing them from the primary (main) tray.
- Be sure to hold both front and rear sides of the paper when removing printed sheets from the tray.



2.3.8 Caution Label on Finisher FS-531, Finisher FS-612, Finisher FS-532, or Output Tray OT-510 Connected

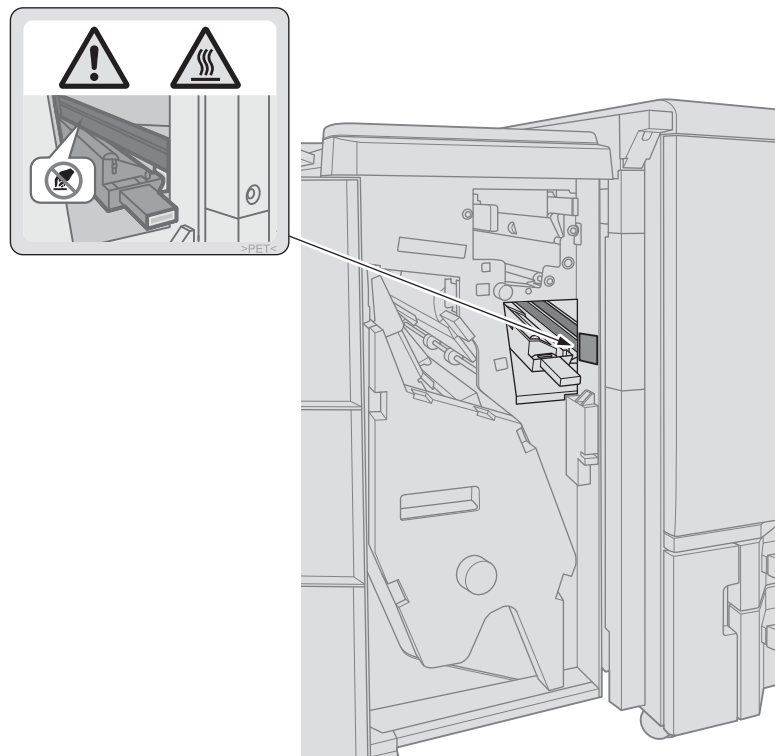
The caution label shown below is affixed when **Finisher FS-531, Finisher FS-612, Finisher FS-532, or Output Tray OT-510** is directly connected to the left side of the machine.

This caution label is not affixed when the finisher or output tray is connected while the **Relay Unit RU-518** is connected to the left side of the machine.

⚠ CAUTION
High temperature! Burn

You may get burned.

- DO NOT touch the roller in the left side of the machine or surrounding metal parts.
- Be especially careful when pressing down a lever or clearing jammed paper.

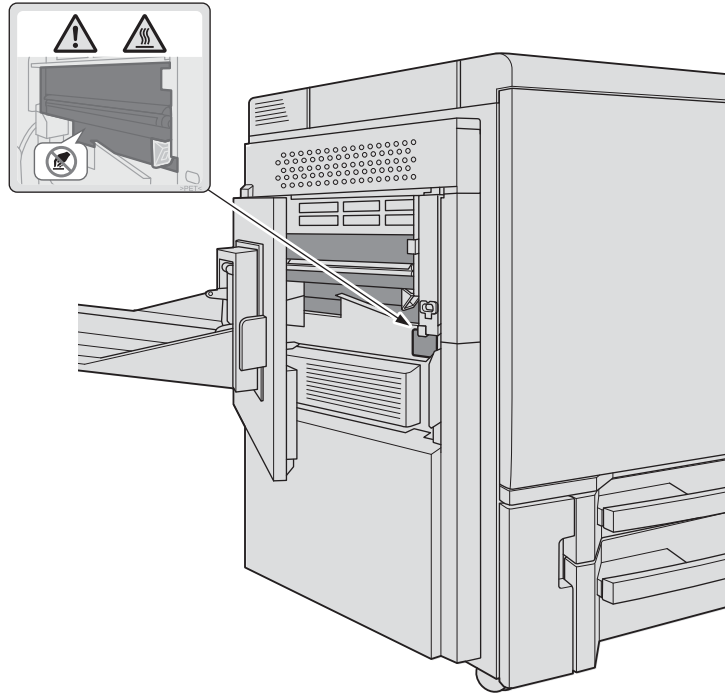


2.3.9 Caution Label on Output Tray OT-511 Connected

⚠ CAUTION
High temperature! Burn

You may get burned.

- DO NOT touch the roller in the left side of the machine or surrounding metal parts.
- Be especially careful when pressing down a lever or clearing jammed paper.



2.3.10 Caution Labels on Relay Unit RU-518 / Humidifier HM-103

⚠ CAUTION
Electrical Shock, Fire

There is a risk of electrical shock or fire. DO NOT put anything other than the specified liquid into the unit. Also, do not carry out replenishment work on the unit.

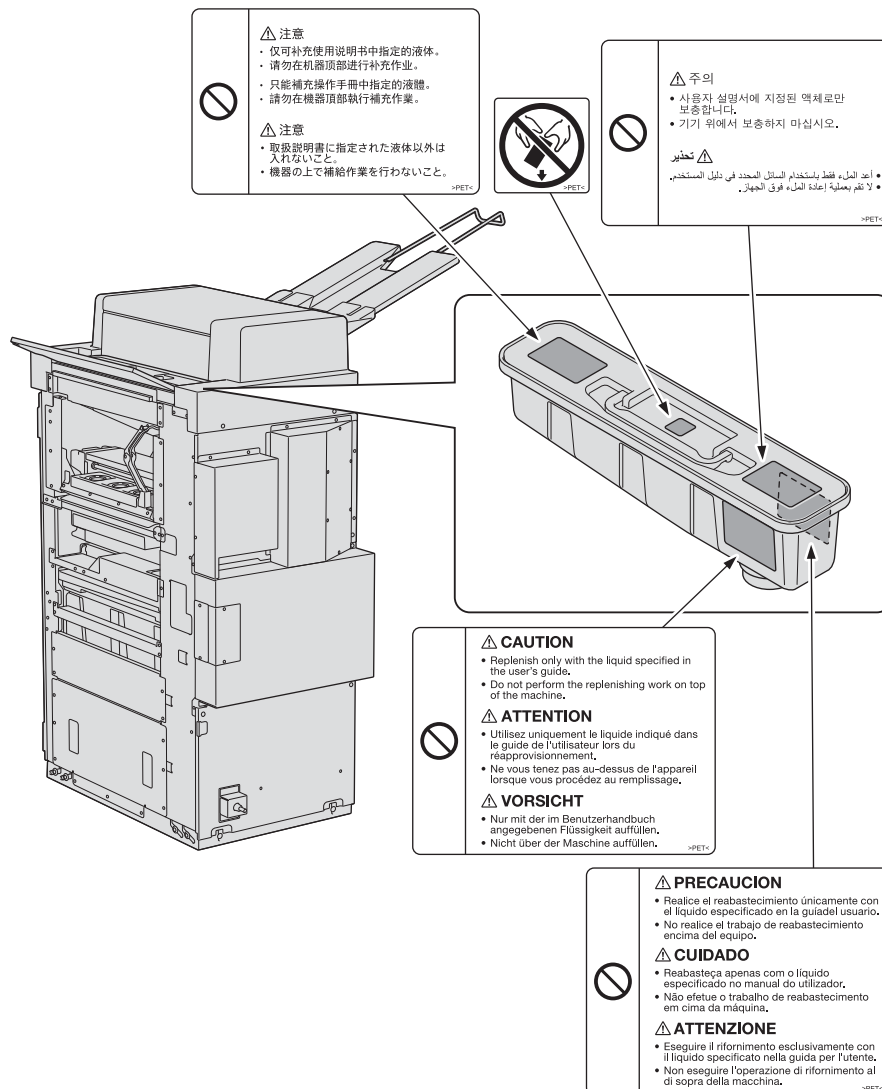
- If any liquid drips on any electrical components in the unit, it may damage the machine or cause unexpected trouble.



⚠ CAUTION
Injury

You may get injured. DO NOT drop the container containing liquid.

- If liquid is scattered on the floor, the floor will become slippery, which may cause unexpected trouble.



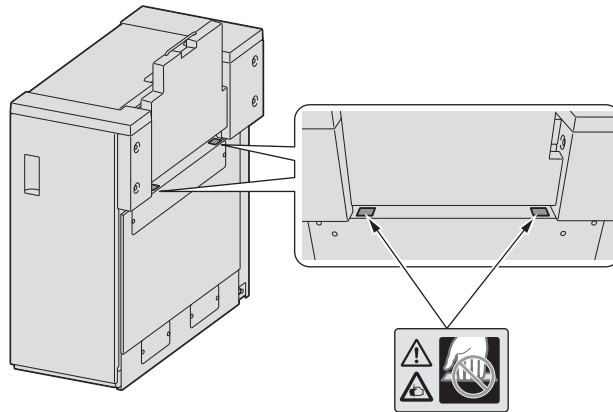
2.3.11 Caution Labels on Multi Bypass Tray MB-508

⚠ CAUTION
Injury

An unexpected injury may occur, such as getting your fingers caught when opening the manual tray.



- DO NOT put your fingers between the manual tray and the main body.



2.3.12 Caution Labels on Large Capacity Unit LU-202m

⚠ CAUTION
Injury

An unexpected injury may occur, such as getting your hand caught.

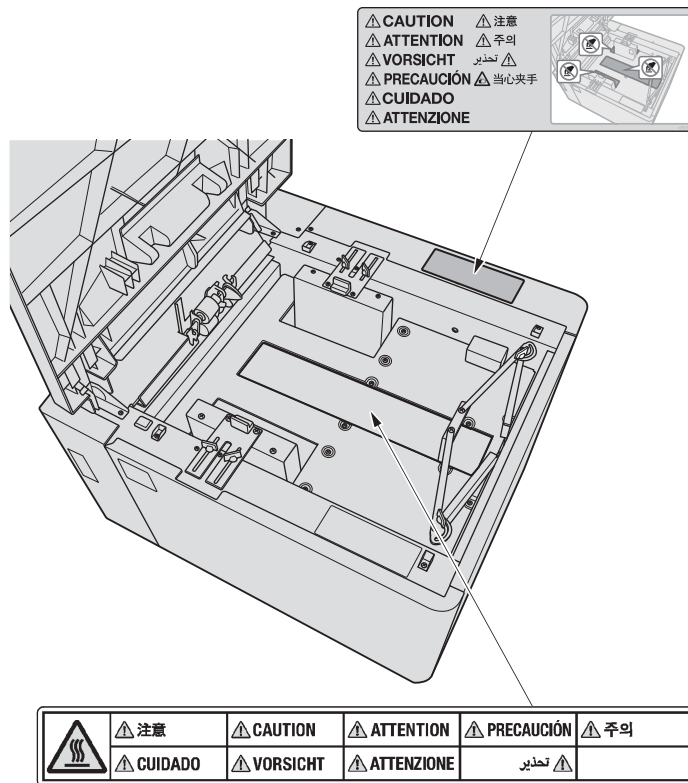
- DO NOT put your hand into the three holes on the tray bottom plate.
- Be especially careful when loading paper.



⚠ CAUTION
High temperature! Burn

You may get burned.

- DO NOT put your hand into the sheet metal area.
- Be especially careful when loading or removing paper.



2.3.13 Caution Labels on Large Capacity Unit LU-202XL / LU-202XLm

⚠ CAUTION
Injury

An unexpected injury may occur, such as getting your hand caught.

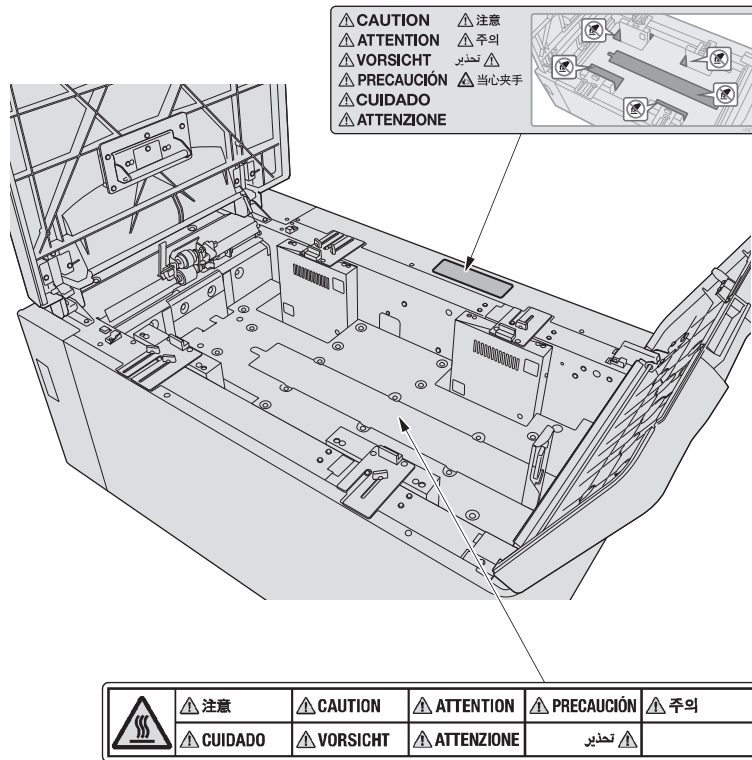
- DO NOT put your hand into the five holes on the tray bottom plate.
- Be especially careful when loading paper.



⚠ CAUTION
High temperature! Burn

You may get burned.

- DO NOT put your hand into the sheet metal area.
- Be especially careful when loading or removing paper.

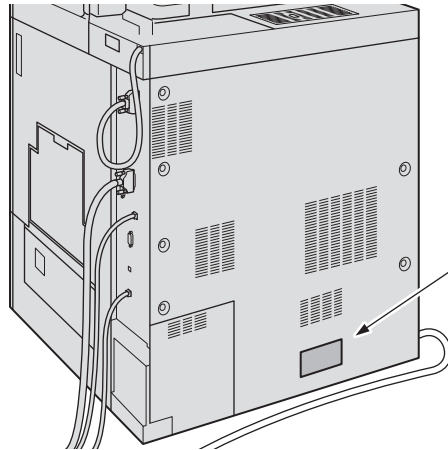


2.3.14 Warning Labels for Current Leakage and Grounding on the Back of the Main Body

⚠ WARNING
Electrical Shock

There is a risk of electrical shock.

- Since a large amount of current leaks, make sure to connect the power plug into a power outlet that is grounded.
- Before unplugging the main body, unplug all power plugs of optional devices.



⚠ WARNING Electrical shock	High leakage current. Earth connection is essential before connecting supply. Before disconnecting the power plug of main body, disconnect all other power plugs.
⚠ ATTENTION Risque Électrique	Courant de fuite important. Raccordement obligatoire à la terre avant de connecter l'alimentation. Avant de débrancher la prise de courant du boîtier principal, déconnecter toutes les autres prises de courant.
⚠ WARNING Stromschlag	Hohes entweichendes Strom. Vor dem Anschließen des Netzsteckers die Hauptsteckdose mit anderen Netzsteckern trennen.
⚠ ATENCIÓN Descarga eléctrica	Alto contenido de fuga. La conexión a tierra es necesaria antes de conectar el suministro. Antes de desconectar el cable del cuerpo principal, desconecte el resto de cables.
⚠ AVISO Carga eléctrica	Corriente de escape elevada. El equipo a tierra es esencial antes de ligar a tierra de alimentación. Antes de desplugar a tomada de fuerza de unidad principal desplugue todas as otras tomadas de fuerza.
⚠ AVVERSO Scarica elettrica	Elevata corrente di dispersione. È essenziale provvedere alla connessione di messa a terra disconnettendo tutti gli altri spine.
⚠ 경고	이 제품은 누전 위험이 있습니다. 전원 연결하기 전에 반드시 먼저 다른 모든 전원 플러그를 분리하십시오. 전원 플러그를 분리하기 전에 다른 모든 전원 플러그를 분리하십시오.
⚠ 警告	高漏電電流 - 接地確保が必須です。電源を接続する前に、他の電源プラグをすべて切断してください。
⚠ 警告	高漏電電流 - 接地確保が必須です。電源を接続する前に、他の電源プラグをすべて切断してください。
⚠ 警告	高漏電電流 - 接地確保が必須です。電源を接続する前に、他の電源プラグをすべて切断してください。

2.3.15 Caution and Warning Labels on Auto Ring Binder GP-502

⚠ CAUTION Injury

You may get injured.

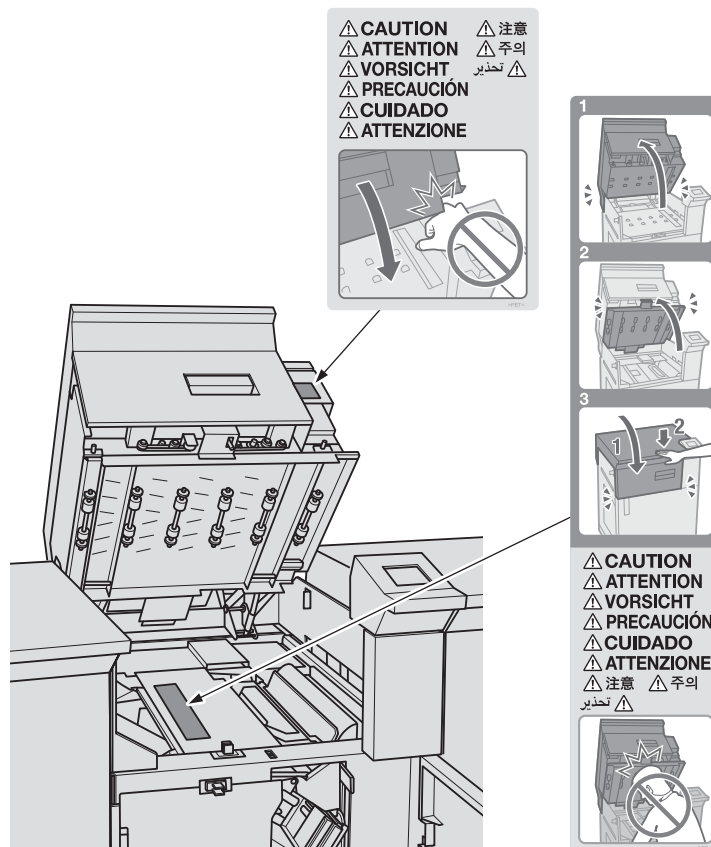
- NEVER put your hand on the display panel when closing the upper part of the auto ring binder!
- Please be careful when closing the upper part of the auto ring binder.



⚠ CAUTION Injury

You may get injured by bumping your head.

- Watch your head when the top cover or bypass deck of the ring binder is opened.
- Please be especially careful when removing mishandled paper.



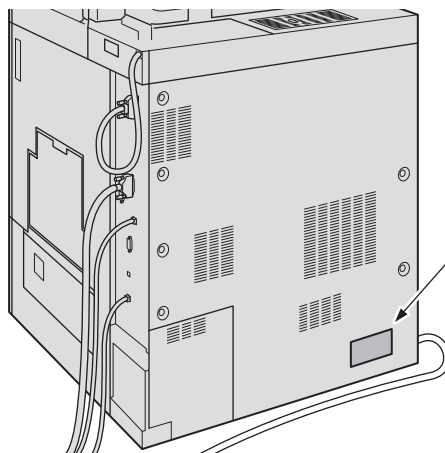
2.3.16 Warning Labels for Grounding of the Main Body, Integrated Color Care Unit IQ-501, Paper Feed Unit PF-707m, Saddle Stitcher SD-513, Relay Unit RU-518, Folding Unit FD-503, Large Capacity Stacker LS-506, and Perfect Binder PB-503

Warning labels for grounding are affixed to the back sides of the main body, Integrated Color Care Unit IQ-501, Paper Feed Unit PF-707m, Saddle Stitcher SD-513, Relay Unit RU-518, Folding Unit FD-503, Large Capacity Stacker LS-506, and Perfect Binder PB-503.

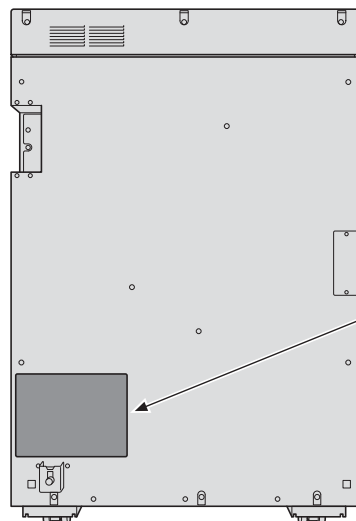
⚠ WARNING **Electrical Shock**

Leakage could result in a fire or electrical shock.

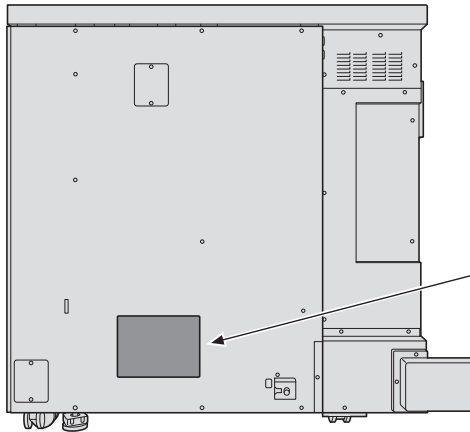
- Be sure to connect this product to an earthed socket outlet only.





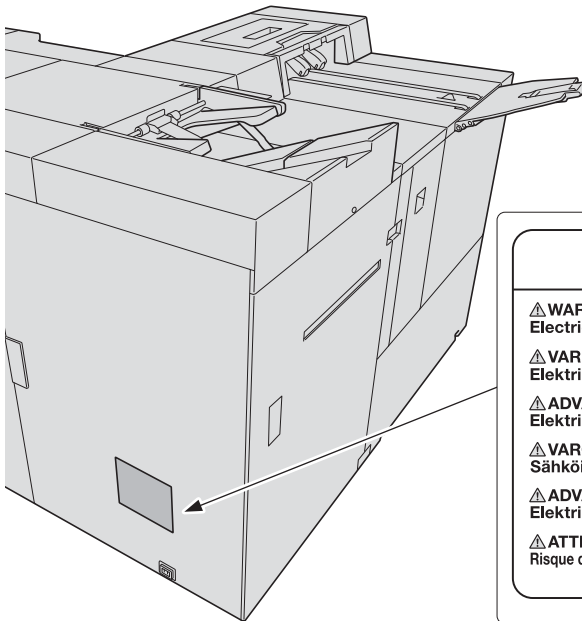
⚠ ⚡ Ⓧ	
⚠ WARNING	: Only connect this equipment to an earthed socket outlet. Electrical shock
⚠ ADVARSEL	: Apparatets stikprop skal tilsluttes en stikkontakt med Elektrisk stød jord, som giver forbindelse til stikproppens jord.
⚠ VAROITUS	: Laite on liitettävä suojakoskettimilla varustettuun Sähköisku pistorasiaan.
⚠ ADVARSEL	: Apparatet må tilkoples jordet stikkontakt. Elektrisk støt
⚠ VARNING	: Apparaten skall anslutas till jordat uttag. Elektrisk stöt
⚠ ATTENTION	: Cet équipement doit être impérativement branché à une prise avec mise à la terre. Risque d'électrocution
⚠ تحذير : قم فقط بتوصيل هذا الجهاز بأخذ مقبس أرضي. صدمة كهربائية	
>PET<	





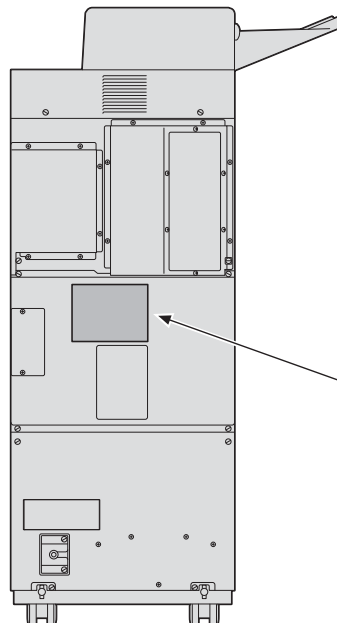
⚠ ⚡ Ⓧ	
⚠ WARNING	Only connect this equipment to an earthed socket outlet.
⚠ VARNING	Cet équipement doit être impérativement branché à une prise avec mise à la terre.
⚠ ADVARSEL	Apparaten skall anslutas till jordat uttag
⚠ VAROITUS	Apparatet må tilkoples jordet stikkontakt
⚠ ADVARSEL	Laite on liitettävä suojakoskettimilla varustettuun pistorasiaan.
⚠ ATTENTION	Apparatets stikprop skal tilsluttes en stikkontakt med jord, som giver forbindelse til stikproppens jord.
>PET<	





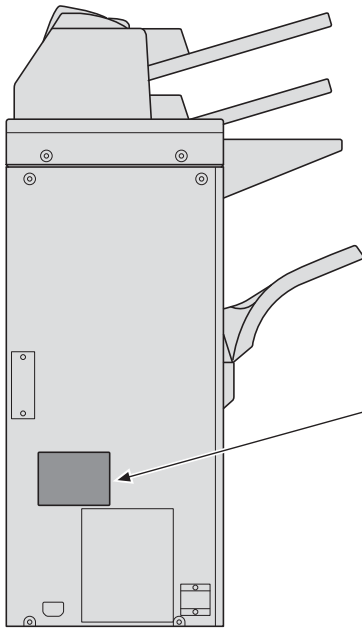
 	
<p>⚠ WARNING : Only connect this equipment to an earthed socket outlet. Electrical shock</p> <p>⚠ ADVARSEL : Apparatets stikprop skal tilsluttes en stikkontakt med Elektrisk stød jord, som giver forbindelse til stikproppens jord.</p> <p>⚠ VAROITUS : Laite on liitettävä suojakoskettimilla varustettuun Sähköisku pistorasiaan.</p> <p>⚠ ADVARSEL : Apparatet må tilkoples jordet stikkontakt. Elektrisk stød</p> <p>⚠ VARNING : Apparaten skall anslutas till jordat uttag. Elektrisk stöt</p> <p>⚠ ATTENTION : Cet équipement doit être impérativement branché à une prise avec mise à la terre. Risque d'électrocution</p> <p style="text-align: right;">⚠ تحذير : قم فقط بتوصيل هذا الجهاز بأخذ مقبس أرضي. صدمة كهربائية</p>	<p>>PET<</p>



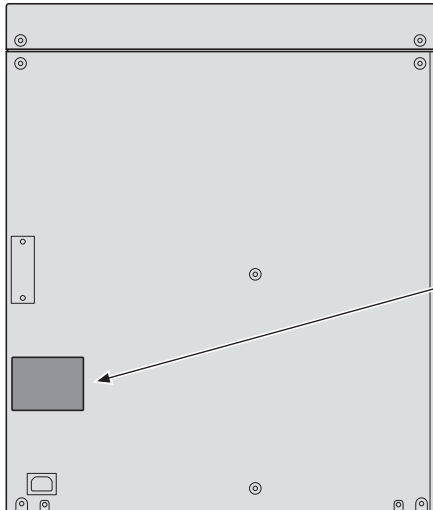
 	
<p>⚠ WARNING Electrical shock Only connect this equipment to an earthed socket outlet.</p> <p>⚠ VARNING Elektrisk shock Cet équipement doit être impérativement branché à une prise avec mise à la terre.</p> <p>⚠ ADVARSEL Elektrisk stød Apparaten skall anslutas till jordat uttag</p> <p>⚠ VAROITUS Sähköisku Apparatet må tilkoples jordet stikkontakt</p> <p>⚠ ADVARSEL Elektrisk stød Laite on liitettävä suojakoskettimilla varustettuun pistorasiaan.</p> <p>⚠ ATTENTION Risque d'électrocution Apparatets stikprop skal tilsluttes en stikkontakt med jord, som giver forbindelse til stikproppens jord.</p>	<p>>PET<</p>



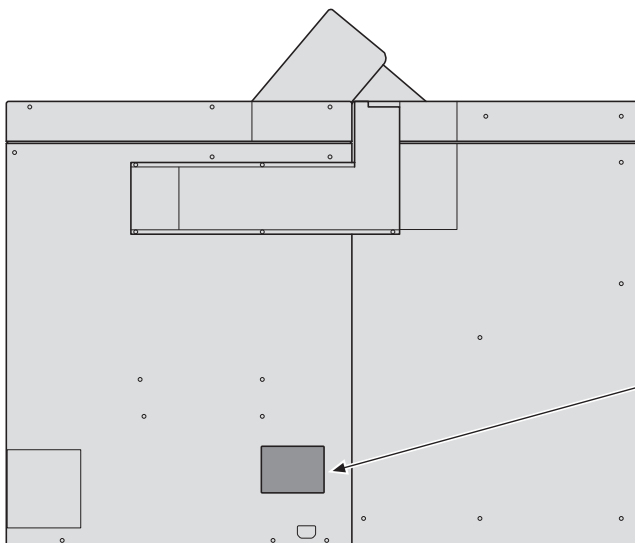
 	
<p>⚠ WARNING : Only connect this equipment to an earthed socket outlet. Electrical shock</p> <p>⚠ ADVARSEL : Apparatets stikprop skal tilsluttes en stikkontakt med Elektrisk stød jord, som giver forbindelse til stikproppens jord.</p> <p>⚠ VAROITUS : Laite on liitettävä suojakoskettimilla varustettuun Sähköisku pistorasiaan.</p> <p>⚠ ADVARSEL : Apparatet må tilkoples jordet stikkontakt. Elektrisk stød</p> <p>⚠ VARNING : Apparaten skall anslutas till jordat uttag. Elektrisk stöt</p> <p>⚠ ATTENTION : Cet équipement doit être impérativement branché à une prise avec mise à la terre. Risque d'électrocution</p> <p style="text-align: right;">⚠ تحذير : قم فقط بتوصيل هذا الجهاز بأخذ مقبس أرضي. صدمة كهربائية</p>	<p>>PET<</p>



<p>⚠ WARNING Electrical shock</p>	<p>Only connect this equipment to an earthed socketoutlet.</p>
<p>⚠ WARNING Elektrisk shock</p>	<p>Cet équipement doit être impérativement branché à une prise avec mise à la terre.</p>
<p>⚠ ADVARSEL Elektrisk støt</p>	<p>Apparaten skall anslutas till jordat uttag</p>
<p>⚠ VAROITUS Sähköisku</p>	<p>Apparatet må tilkoples jordet stikkontakt</p>
<p>⚠ ADVARSEL Elektrisk støt</p>	<p>Laite on liitettävä suojakoskettimilla varustettuun pistorasiaan.</p>
<p>⚠ ATTENTION Risque d'électrocution</p>	<p>Apparatets stikprop skal tilsluttes en stikkontakt med jord, som giver forbindelse til stikproppens jord.</p>
<p>>PET<</p>	



<p>⚠ WARNING Electrical shock</p>	<p>Only connect this equipment to an earthed socketoutlet.</p>
<p>⚠ WARNING Elektrisk shock</p>	<p>Cet équipement doit être impérativement branché à une prise avec mise à la terre.</p>
<p>⚠ ADVARSEL Elektrisk støt</p>	<p>Apparaten skall anslutas till jordat uttag</p>
<p>⚠ VAROITUS Sähköisku</p>	<p>Apparatet må tilkoples jordet stikkontakt</p>
<p>⚠ ADVARSEL Elektrisk støt</p>	<p>Laite on liitettävä suojakoskettimilla varustettuun pistorasiaan.</p>
<p>⚠ ATTENTION Risque d'électrocution</p>	<p>Apparatets stikprop skal tilsluttes en stikkontakt med jord, som giver forbindelse til stikproppens jord.</p>
<p>>PET<</p>	



<p>⚠ WARNING Electrical shock</p>	<p>Only connect this equipment to an earthed socketoutlet.</p>
<p>⚠ WARNING Elektrisk shock</p>	<p>Cet équipement doit être impérativement branché à une prise avec mise à la terre.</p>
<p>⚠ ADVARSEL Elektrisk støt</p>	<p>Apparaten skall anslutas till jordat uttag</p>
<p>⚠ VAROITUS Sähköisku</p>	<p>Apparatet må tilkoples jordet stikkontakt</p>
<p>⚠ ADVARSEL Elektrisk støt</p>	<p>Laite on liitettävä suojakoskettimilla varustettuun pistorasiaan.</p>
<p>⚠ ATTENTION Risque d'électrocution</p>	<p>Apparatets stikprop skal tilsluttes en stikkontakt med jord, som giver forbindelse til stikproppens jord.</p>
<p>>PET<</p>	

2.4 Operation Precautions

To ensure the optimum performance of this machine, observe the precautions described below.

2.4.1 Power Source

The power source requirements are as follows.

Destination	North America	Europe, Southeast Asia, Australia
Voltage	208 V to 240 V AC	220 V to 240 V AC
Frequency	60 Hz	50-60 Hz

Use a power source with as little voltage or frequency fluctuations as possible.

2.4.2 Operating Environment

The environmental requirements for correct operation of the machine are as follows.

- Operating temperature: 10°C (50°F) to 30°C (86°F)
- Humidity: 10% to 80%

2.4.3 Storage of Printed Materials

To store printed materials, follow the recommendation listed below.

- Printed materials that are to be kept for a long time should be stored where they are not exposed to light or high temperature in order to prevent them from fading or sticking together.
- Adhesive that contains solvent (e.g., spray glue) may dissolve the toner on printed materials.

2.4.4 Ozone Release

During print operation, a small quantity of ozone is released. This amount is not large enough to harm anyone adversely. However, be sure the room where the machine is being used has adequate ventilation, especially if you are printing a high volume of materials, or if the machine is being used continuously over a long period.

2.4.5 Direct Sunlight

Do not install the machine and its options in a place exposed to direct sunlight, otherwise the machine performance may be degraded or any trouble may be caused.

2.4.6 Authentication Unit AU-201S

Do not use this product near water, otherwise it may be damaged.

Do not cut, damage, modify or forcefully bend the USB cable. A malfunction may occur as a result of a damaged or cut USB cable.

Do not disassembly this device, otherwise it may be damaged.

Do not store the IC card within 40 mm of the card scanning area.
(Non-correspondence in Europe)

2.4.7 Data Stored in This Machine

For the machine with hard disk, it is suggested to perform the [Delete All Data Setting] function to prevent leakage of data prior to transfer or disposal of the machine, or returning of the leased machine.

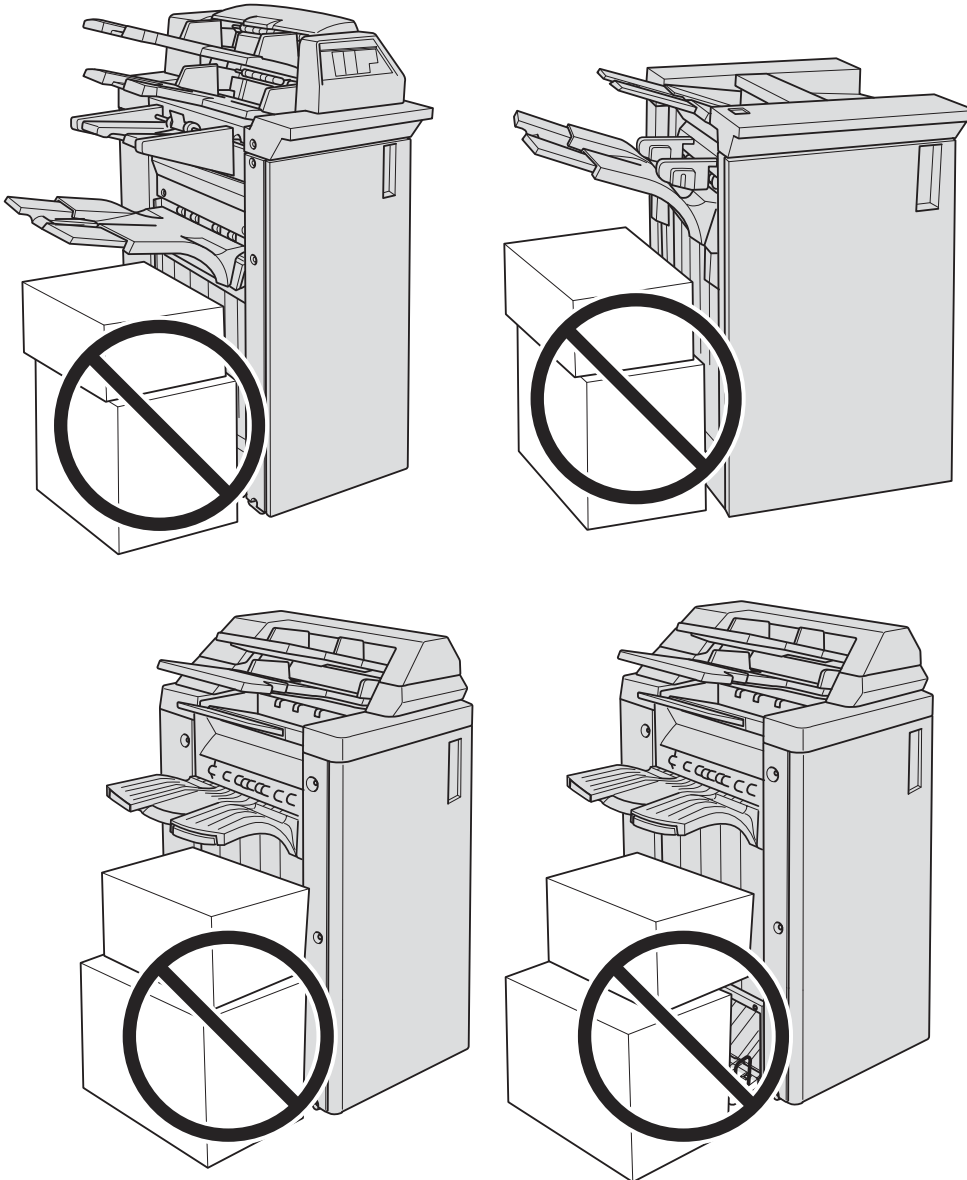
Using the [Delete All Data Setting] function, all data stored in all hard disk areas are overwritten and deleted.

Contact your service representative before using the [Delete All Data Setting] function.

It is recommended to backup HDD periodically as the measures for HDD defect. For the detail information of HDD backup, contact your service representative.

2.4.8 Precaution for Use of Folding Unit, Finisher and Output Tray

The **primary (main) tray** of **Folding Unit FD-503**, **Finisher FS-531**, **Finisher FS-532**, **Finisher FS-612**, or of **Output Tray OT-510** gradually goes down while printed materials output. **DO NOT** allow any object to interfere with the operation of the tray on the left side of the finisher, as any interference may cause damage to the finisher or injury.



2.5 If you forget the administrator password

The administrator password is set to "00000000" by factory default.

If the administrator password is changed, contact your service representative.